



315-Watt CMH Open System

Performance		
Lamp	Number	1
	Watts	315W
InputVolts	120V	240V
Input Current	2.89A	1.43A
Input Power	343W	
Min Power Factor	0.95	
THD	<15%	
Crest Factor	<1.7	

Physical		
Case Length	251mm	9.88"
Case Width	227mm	8.94"
Height	451.5mm	17.78"
Weight	3.76kg	8.29lb

Protections

- 1.End of Lamp Life(EOL)Protection
- 2.Short circuit protection
- 3.Open circuit protection
- 4.Ignition failure-protection
- 5.Thermal protection

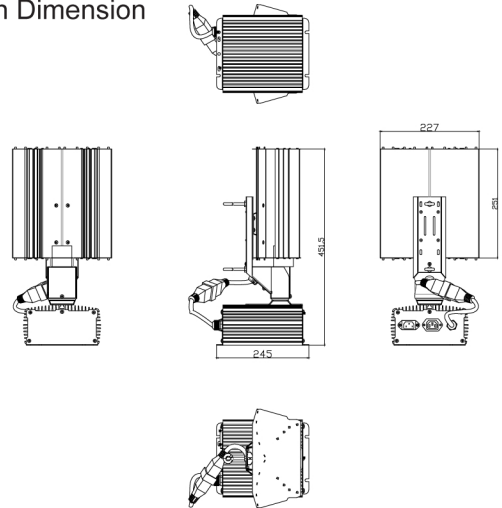
Installation & Application Notes

- 1.Max. allowable case temperature:75°C/167°F.
- 2.Ambient Temperature:-20...+40°C/-4...+104 °F.
- 3.Ignition voltage is 5kV.
- 4.Remote Mounting:5m/16ft.
- 5.Power must be cycled off-then on,after replacing the lamp.

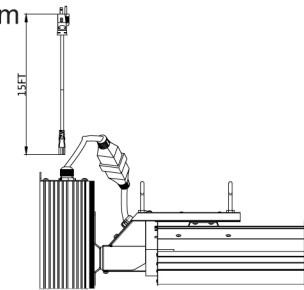
Performance Requirements:

Rated mains voltage:	120-240V
Voltage range (+/-10%):	108-264V
Mains frequency:	50/60Hz
Operation frequency :	140-220Hz

Main Dimension



Wiring Diagram



Tcase max=75°C/167°F

